

## ADE Electric Linear Actuator (EHZ) MS10T BASIC

### Technical Details

|                   |                                    |
|-------------------|------------------------------------|
| Pulling force:    | max. 10kN                          |
| Pushing force:    | max. 10kN                          |
| Effective stroke: | 100/200/300/400/500mm              |
| Speed:            | 2,1/3,3/6,7/9,3/13,3/18,7/26,7mm/s |

### Mechanics

- Robust and maintenance free industrial design
- Spindle/nut system: precision trapezoidal/ACME screw drive, spindle static self-locking
- Piston rod with internal anti turning device
- Piston rod – hard chrome plated min. 20µm
- External bare components made of galvanized steel or corrosion protected
- Piston rod guide completely protected against corrosion, sealing waterproof in IP65, with dirt scraper
- All flange connections water and oil tight
- Environment friendly grease filling
- Total stroke = effective stroke + 30mm (+-15mm) spare stroke
- Not suitable for operation at a fixed/end stop
- Wide range of variants in the modular system and very short installation length
- All add-on parts are standardized components
- Designed for simple applications with occasional movement
- high spindle performance: min. 120km at 5kN
- Ambient temperature: -35°C up to +80°C
- Option: Special version up to -60°C
- Spare and wear parts lists are available from stock
- Option: painting C3M or C5M

### Sensor Technology

- Suitable for inductive T-slot sensors

### Drive

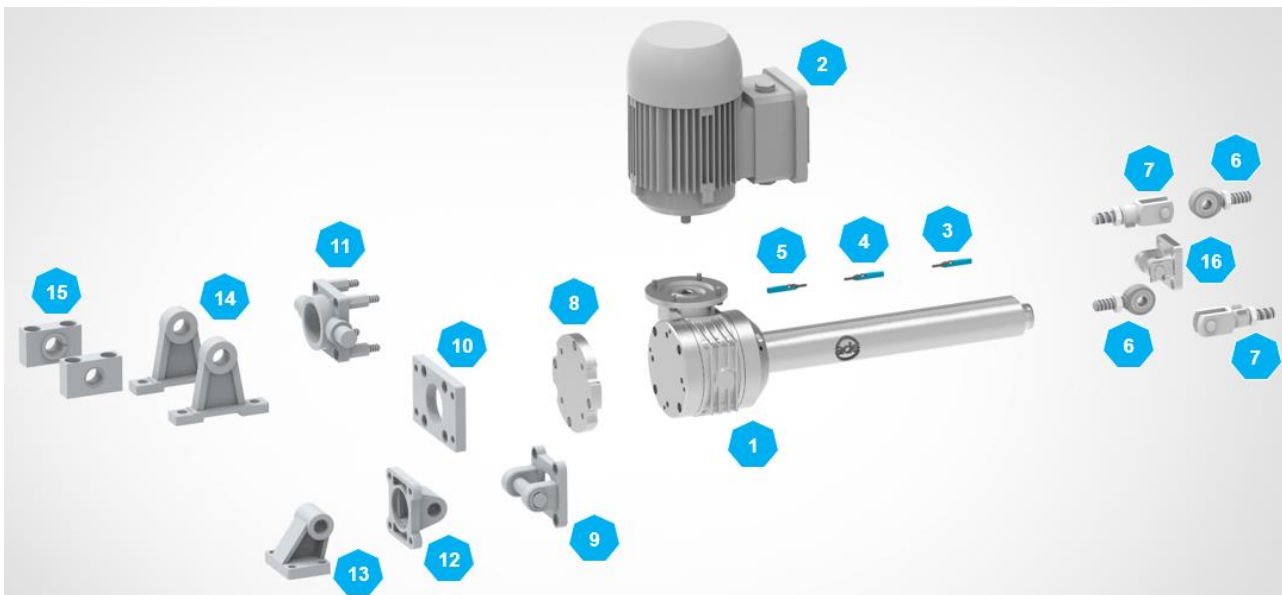
- Suitable for IEC motors with B14 flange BG63/71/80
- Standard: 230/400V AC 3ph
- Option: 12/24/48/90/170V DC
- Option: motor brake
- Option: Incremental encoder

### Notes:

We always recommend force monitoring using a current limiter. e.g. through a motor protection switch or an external frequency converter

## ADE Electric Linear Actuator (EHZ) MS10T BASIC

**Mounting accessories and options: (select according to the type of mounting required).**



*further equipment possible - on request*

- |                                   |  |
|-----------------------------------|--|
| 1. Electric Linear Actuator       |  |
| 2. Motor                          |  |
| 3. Sensor (extended position)     | 1050182 MZT7-03VPS-KU0 / 1050181 MZT7-03VPO-KU0                              |
| 4. Sensor (intermediate position) | 1050182 MZT7-03VPS-KU0 / 1050181 MZT7-03VPO-KU0                              |
| 5. Sensor (retracted position)    | 1050182 MZT7-03VPS-KU0 / 1050181 MZT7-03VPO-KU0                              |
| 6. Swivel head                    | 1050658  |
| 7. Fork Head / Clevis             | 1050659  |
| 8. Adapter flange 45°             | 1050661 (rotates rear equipment by 45°. Add-on parts are then in motor axis) |
| 9. Fork head flange               | 1050660  |
| 10. Ground mounting flange        | 1050662  |
| 11. Trunnion                      | 1050663  |
| 12. Mounting flange in axis       | 1050377 (suitable for 9.)  |
| 13. Mounting flange in 90°        | 1050424 (suitable for 9.)  |
| 14. Pillow block                  | 1050605 (suitable for 11.)   |
| 15. Pillow block small            | 1050379 (suitable for 11.)   |
| 16. Fork head flange              | 1050665 (suitable for 6.)  |