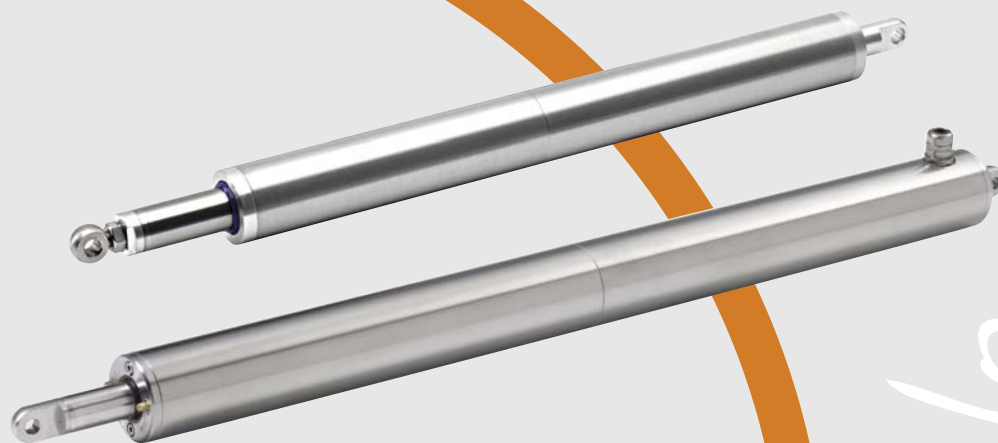


Linear actuator Picolo



*Our innovative design models
with flexible mounting options*



Picolo

made in
GERMANY

Linear actuator Picolo



Picolo for the latest demands of architects and façade designers

elero's space-saving linear actuator with innovative design for the adjustment of photovoltaic louvers and large louvers made of glass, aluminium or stainless steel for commercial architecture.

Picolo's aesthetic design

Through the slim and cylindrical design, technical and functional aspects as well as optical and aesthetic aspects have been taken into account. The flexible mounting position offers numerous application possibilities, no matter if the piston rod is installed horizontally or facing upwards.

Picolo has a lot of advantages

- Thanks to weather-resistant construction, the mounting position is flexible
- Easy control
- Low-noise operation
- UV-resistant cables

Picolo is weather-resistant

With waterproof housing and weather-resistant fixing elements, Picolo is an optimum solution for outdoor applications.

The technology

elero's Picolo linear actuator is an electromechanical push-rod drive in which a rotational movement is transformed into a linear movement by gear units and a threaded spindle.

- Protection against solar heat
- Well-lit rooms through controlled daylighting
- Interior glare protection
- Optimum lighting conditions for PC work environments

The facts

	Picolo XL / XL-P		Picolo 0	
Operating voltage	230V 1AC, 50Hz		24V DC	
Stroke speed (mm/s)	ca. 20	ca. 6	ca. 5	
Load (N)	400	1,200		100 – 1,800
Rating	KB 5 min		S3 15%	
Housing diameter (mm)	48		35	
Stroke lengths (mm)	100, 200, 300, 400, 500, 600		75 – 400 (lug-lug mounting) 75 – 800 (pivot mounting)	
Temperature range (°C)	-20 to +80		-20 to +80 (Version B: 0 to +80)	
Cable length (m)			2	
Housing + fixing elements	stainless steel 1.4301		stainless steel 1.4571	anodised aluminium
Mounting positions			flexible	
Protection type (IP)	65		67	

Please find further technical information on www.elero-linear.com in the category **Service/Instructions**.

Linear actuator Picolo XL



Description • Applications • Options

Characteristics

- Waterproof housing of stainless steel
- Integrated, easily adjustable limit switches
- Torsion lock piston
- For the 230V AC model: Integrated capacitor and an asynchronous motor, which is particularly robust and its speed is constant even if the load fluctuates.

Applications

- Façade architecture
- Adjustment of louvres and photovoltaic panels
- Window adjustment
- Ventilation systems

Options

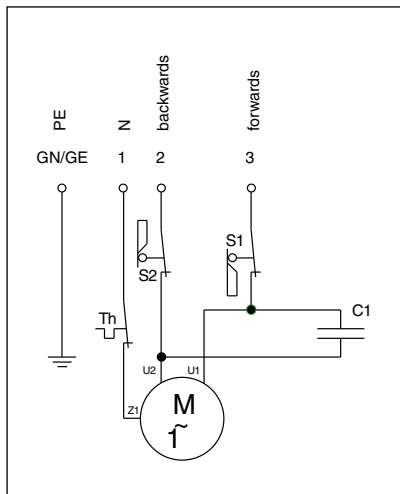
- Fixing elements can be delivered 90° or 45° rotated
- Clevis end on piston and/or housing end
- Bearing bracket for clevis end
- Pivot attachment
- Connecting cable with plug connectors
- RAL colour coating
- Encoder (available for the 230V version), from 5 to 24V DC, 6 pulses/mm

Accessories

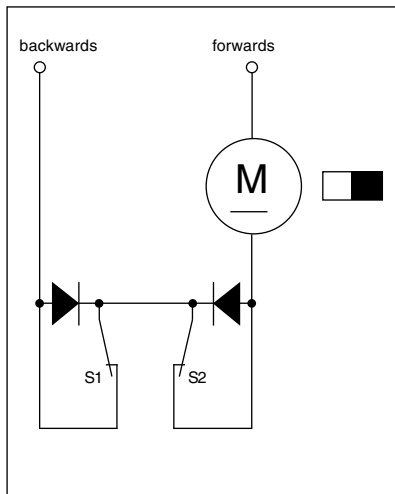
- Adjustable pivot
- Fail-safe monitor
- Bearing brackets

Attachment options

- Articulated lug (standard)
- Clevis end
- Articulated lug (90° rotated)
- Clevis end (90° rotated)



WS0800/230V 1AC



GS0300/24V DC

- S1 = Limit switch piston rod out
- S2 = Limit switch piston rod in
- C1 = Capacitor (internal)
- Th = Thermal protection

Linear actuator Picolo XL-P



Description • Applications • Options

Characteristics

- Integrated isolation relays enabling parallel connection of several actuators
- Weather-resistant 230V linear actuator made of stainless steel
- Additional isolation relays are not required
- Reduced installation expenditure and higher security against incorrect use
- Control of several linear actuators in parallel (without synchronisation)

Applications

- Façade architecture
- Adjustment of louvres and photovoltaic panels
- Window adjustment
- Ventilation systems

Options

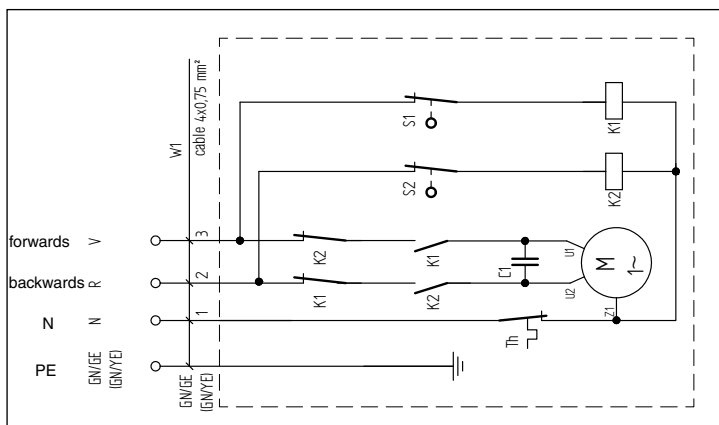
- Fixing elements can be delivered 90° or 45° rotated
- Clevis end on piston and/or housing end
- Bearing bracket for clevis end
- Pivot attachment
- Connecting cable with plug connectors
- RAL colour coating

Accessories

- Adjustable pivot
- Bearing brackets

Attachment options

- Articulated lug (standard)
- Clevis end
- Articulated lug (90° rotated)
- Clevis end (90° rotated)



S1 = Limit switch
piston rod out

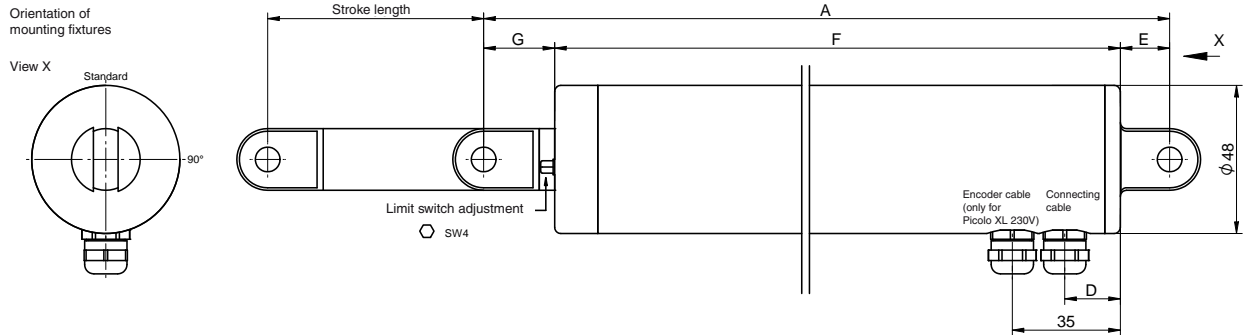
S2 = Limit switch
piston rod in

C1 = Capacitor (internal)

Th = Thermal protection

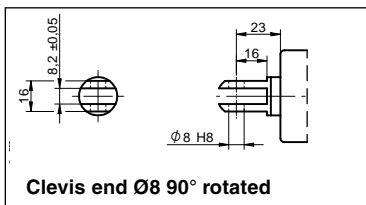
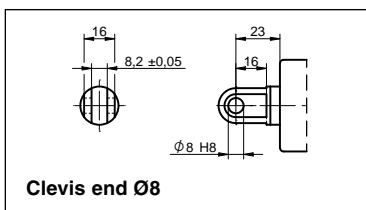
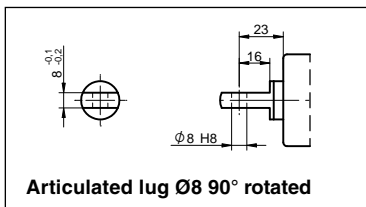
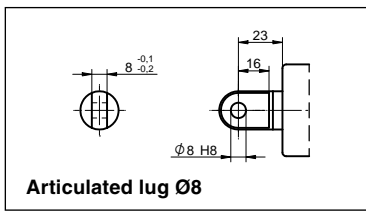
WS9820 (for parallel connection)

Technical data and dimensions Piccolo XL / XL-P



Mounting fixtures – piston side

Dim. G



Dimensions

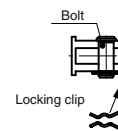
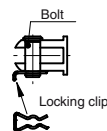
Stroke length (mm)	Dimension F (mm)		
	230V 1AC, 50 Hz		24V DC
	Piccolo XL	Piccolo XL-P	Piccolo XL
100	491	526	421
200	591	626	521
300	691	726	621
400	891	926	821
500	991	1,026	921
600	1,091	1,126	1,021

Dim. A = G + F + E (mm)

Position of connecting cable

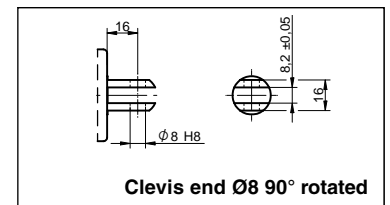
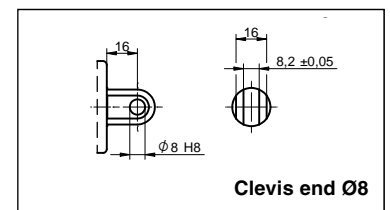
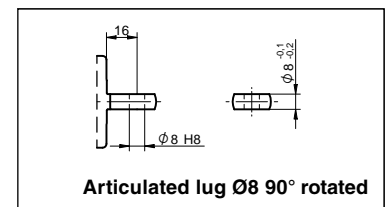
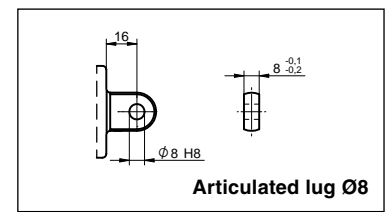
Dim. D

Dimension D (mm)		
230V 1AC, 50 Hz		24V DC
Piccolo XL	Piccolo XL-P	Piccolo XL
18	30	30



Mounting fixtures – housing end

Dim. E



Linear actuator Picolo 0



Description • Applications • Options

Characteristics

- Direct current drive
- Waterproof housing and fixing elements made of anodised aluminium or stainless steel 1.4571
- Integrated limit switches
- Central cable outlet
- Optional synchronisation control for synchronous operation of two linear actuators

Applications

- Façade architecture
- Adjustment of louvres and photovoltaic panels
- Window adjustment
- Maritime applications
- Swimming pools
- Greenhouses
- Louvre windows
- “Cabrio roofs” (flexible roofing systems for patios and winter gardens, with large-format slats made of glass, aluminum or stainless steel)
- Ventilation systems

Options

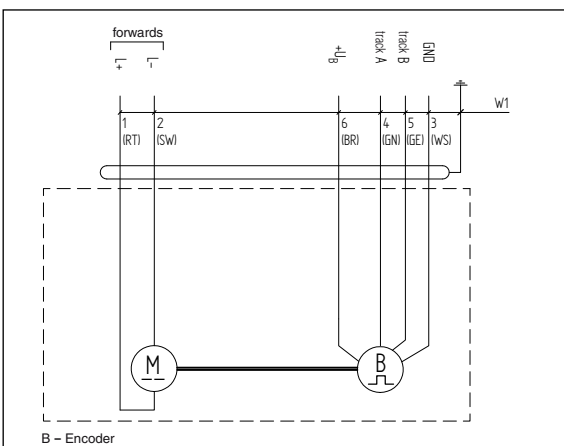
- Encoder
- Synchronisation control
- Connecting cable with plug connectors
- RAL colour coating

Accessories

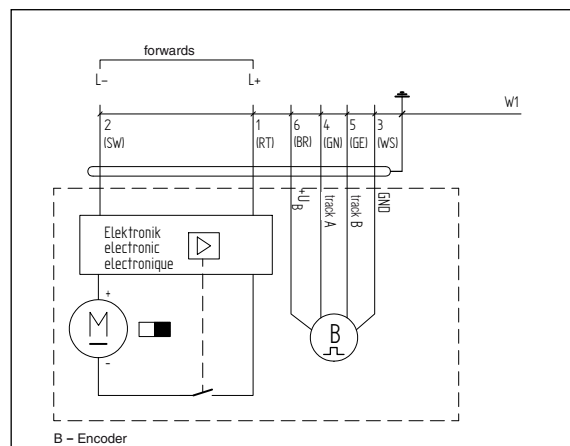
- Adjustable pivot
- Synchronous control unit
- Bearing brackets

Attachment options

- Articulated lug (standard)
- Clevis end
- Adjustable articulated lug (on piston end)
- Joint rod head (on piston end)

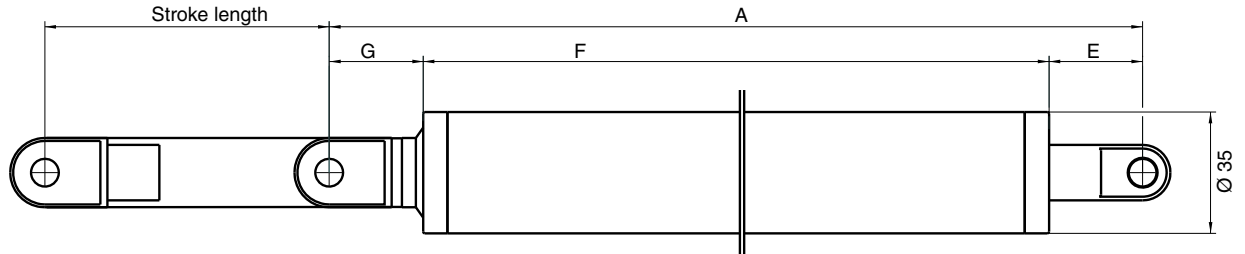


GS9603 (Encoder without limit switch and synchronisation control)

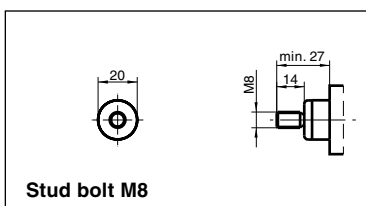
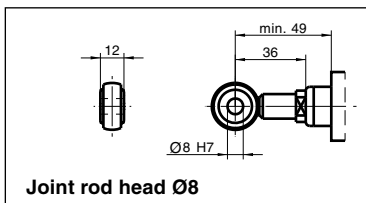
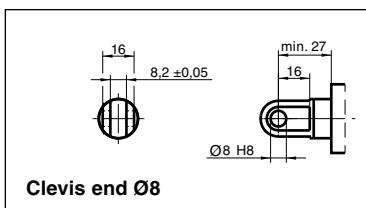
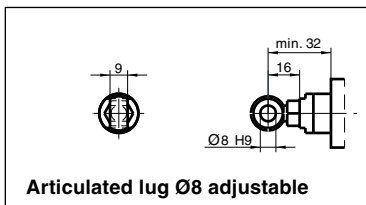
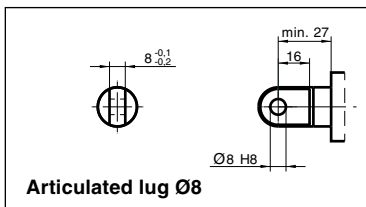


GS9312 (Encoder with limit switch)

Technical data and dimensions Picolo 0



Mounting fixtures – piston side Dim. G



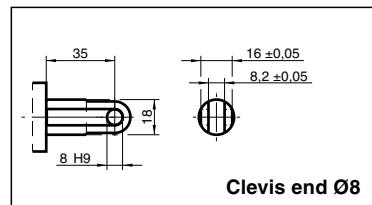
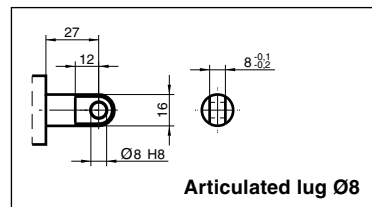
Dimensions

Stroke length (mm)	Dimension F (mm)
75	349
100	374
150	424
200	474
250	524
300	574
400	674
600*	909
800*	1,109

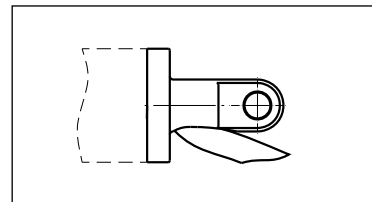
* Max. load is 900N when stroke 600 mm or 800 mm is selected

Dim. A = G + F + E (mm)

Mounting fixtures – housing end Dim. E



Functional diagram Central cable outlet



Load (N) and stroke speed (mm/s)

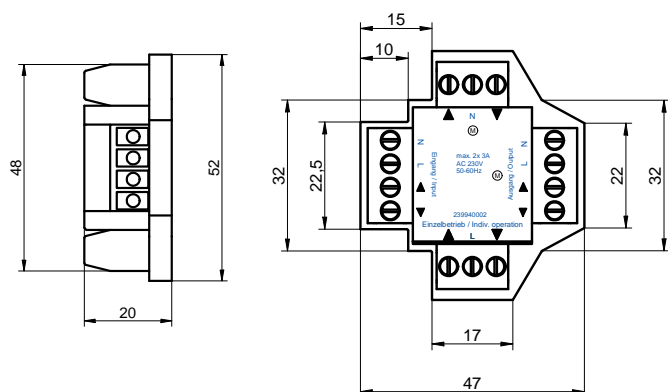
Version	Load (N)	Stroke speed (mm/s)	No. of pulses*
A	100	16	13.5
B	400	9	13.5
C	900	4.5	24
D	1,800	2	60.75

* For option: Encoder

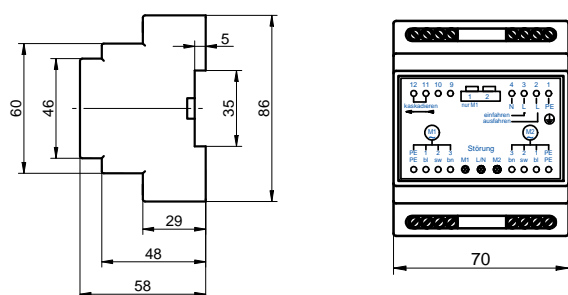
Electrical accessories Picolo 0 / Picolo XL



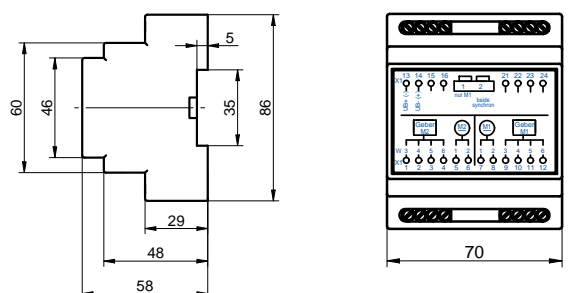
Central control unit for 1 or 2 AC drivers
Art. No. 239940002



Picolo XL fail-safe monitor
Art. No. 752232302



Picolo 0 synchronous control system
Art. No. see table

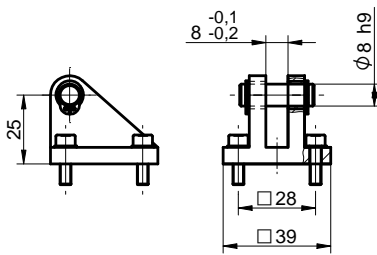


Picolo 0 synchronous control system		
Version	12V DC	24V DC
A	756176301	755084001
B	756176401	755083901
CD	756176501	754335301

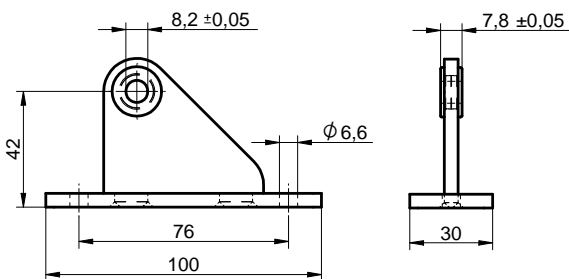
Mounting accessories Picolo 0 / Picolo XL



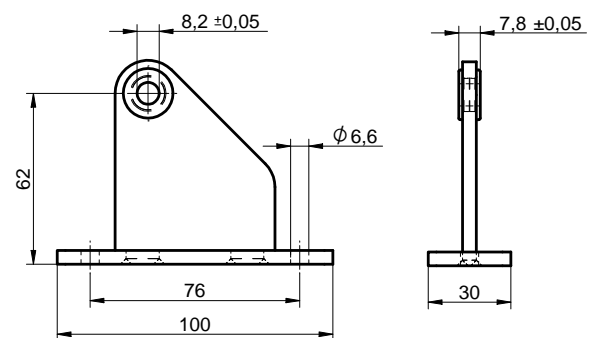
**Bearing bracket 25 mm – Art. No. 724670101
for articulated lug**



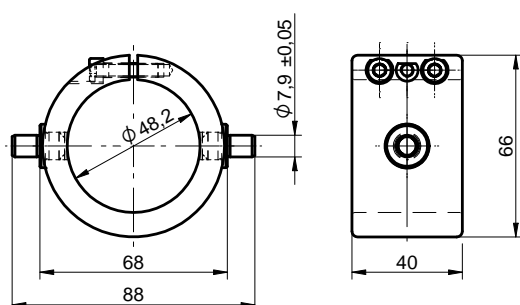
**Bearing bracket 42 mm – Art. No. 750364001
for clevis end**



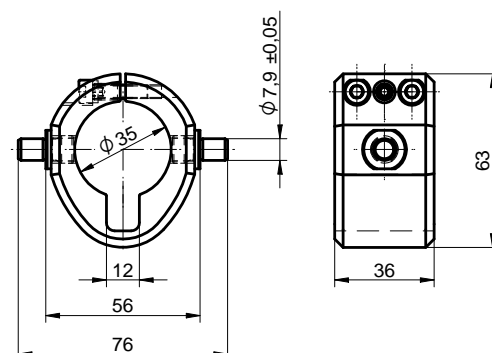
**Bearing bracket 62 mm – Art. No. 750323401
for clevis end**



**Picolo XL pivot mounting fixture – Art. No. 750440901
tension ring fixed on actuator housing per bolt**



**Picolo 0 pivot mounting fixture – Art. No. 754068901
tension ring fixed on actuator housing per bolt**



elero linear actuators



elero GmbH
Linearantriebstechnik

Technical/Sales

Nassaeckerstrasse 11
07381 Poesneck / Germany
T +49 3647 4607-0
F +49 3647 4607-42

Order processing

Linsenhofer Strasse 65
72660 Beuren / Germany
T +49 7025 13-02
F +49 7025 13-212

info@elero-linear.de
www.elero-linear.com

Please find further technical information on our website in the category **Service/Instructions**.